



(11) **EP 2 063 080 B1**

(12) **EUROPEAN PATENT SPECIFICATION**

(45) Date of publication and mention of the grant of the patent:
15.08.2012 Bulletin 2012/33

(51) Int Cl.:
F02B 21/00 ^(2006.01) **F02B 29/00** ^(2006.01)
F02B 33/22 ^(2006.01) **F02D 17/02** ^(2006.01)

(21) Application number: **08105831.5**

(22) Date of filing: **21.11.2006**

(54) **Split-cycle air hybrid engine**

Hybridmotor mit geteiltem Luftzyklus

Moteur hybride à air à cycle fractionné

(84) Designated Contracting States:
AT BE BG CH CY CZ DE DK EE ES FI FR GB GR HU IE IS IT LI LT LU LV MC NL PL PT RO SE SI SK TR

(30) Priority: **07.01.2006 US 326909**

(43) Date of publication of application:
27.05.2009 Bulletin 2009/22

(62) Document number(s) of the earlier application(s) in accordance with Art. 76 EPC:
06838122.7 / 1 969 216

(73) Proprietor: **Scuderi Group LLC**
West Springfield, MA 01089 (US)

(72) Inventors:
• **Scuderi, Salvatore, O.**
Westfield, MA 01085 (US)
• **Scuderi, Stephen, P.**
Westfield, MA 01085 (US)

(74) Representative: **Harding, Andrew Philip et al**
Forresters
Skygarden
Erika-Mann-Strasse 11
80636 München (DE)

(56) References cited:
EP-A2- 1 561 625 **WO-A2-2004/072448**
WO-A2-2004/113700 **DE-A1- 2 423 576**
FR-A1- 2 810 373

EP 2 063 080 B1

Note: Within nine months of the publication of the mention of the grant of the European patent in the European Patent Bulletin, any person may give notice to the European Patent Office of opposition to that patent, in accordance with the Implementing Regulations. Notice of opposition shall not be deemed to have been filed until the opposition fee has been paid. (Art. 99(1) European Patent Convention).

Description**TECHNICAL FIELD**

[0001] This invention relates to split-cycle engines and, more particularly, to such an engine incorporating an air hybrid system.

BACKGROUND OF THE INVENTION

[0002] The term split-cycle engine as used in the present application may not have yet received a fixed meaning commonly known to those skilled in the engine art. Accordingly, for purposes of clarity, the following definition is offered for the term split-cycle engine as may be applied to engines disclosed in the prior art and as referred to in the present application.

[0003] A split-cycle engine as referred to herein comprises:

a crankshaft rotatable about a crankshaft axis;
 a power piston slidably received within a power cylinder and operatively connected to the crankshaft such that the power piston reciprocates through a power (or expansion) stroke and an exhaust stroke during a single rotation of the crankshaft;
 a compression piston slidably received within a compression cylinder and operatively connected to the crankshaft such that the compression piston reciprocates through an intake stroke and a compression stroke during a single rotation of the crankshaft; and
 a gas passage interconnecting the power and compression cylinders, the gas passage including an inlet valve and an outlet (or crossover) valve defining a pressure chamber therebetween.

[0004] For purposes of clarity, the following is a list of acronyms for the various engine operating modes described herein:

AC Air compressor;
 AM Air motoring;
 CB Compression braking;
 ICE Internal combustion engine;
 PAP Pre-compressed air power;
 PCA Pre-compressed combustion air.

[0005] United States patents US 6,543,225 B2, US 6,609,371 B2 and US 6,952,923, all assigned to the assignee of the present invention, disclose examples of split-cycle internal combustion engines as herein defined. These patents contain an extensive list of United States and foreign patents and publications cited as background in the allowance of these patents. The term "split-cycle" has been used for these engines because they literally split the four strokes of a conventional pressure/volume Otto cycle (i.e., intake, compression, power and exhaust) over two dedicated cylinders: one cylinder

dedicated to the high pressure compression stroke, and the other cylinder dedicated to the high pressure power stroke.

[0006] Considerable research has been recently devoted to air hybrid engines as compared, for example, to electric hybrid systems. The electric hybrid system requires the addition to the conventional four stroke cycle engine of batteries and an electric generator and motor. The air hybrid needs only the addition of an air pressure reservoir added to an engine incorporating the functions of a compressor and an air motor, together with the functions of a conventional engine, for providing the hybrid system benefits. These functions include storing pressurized air during braking and using the pressurized air for driving the engine during subsequent starting and acceleration.

[0007] However, the prior art appears to involve only adapting a conventional four stroke cycle engine to perform the compression, combustion and motoring functions in a single cylinder. This, then, requires a complex valve and drivetrain system and control which is capable of switching from a compression-braking (CB) mode to an air motoring (AM) mode and back to a conventional internal combustion engine (ICE) mode during operation.

[0008] In a typical example, when not storing or utilizing compressed air to drive the vehicle, a prior art air hybrid engine operates as a conventional internal combustion engine, where the four strokes of the Otto cycle (intake, compression, power and exhaust) are performed in each piston every two revolutions of the crankshaft. However, during the compression-braking mode, each cylinder of the conventional engine is configured to operate as a reciprocating piston two-stroke air compressor, driven from the vehicle wheels by vehicle motion. Air is received from outside atmosphere into the engine cylinders, compressed there, and displaced into an air-reservoir. Work performed by the engine pistons absorbs the kinetic energy of the vehicle and slows it down or restricts its motion. In this way the kinetic energy of the vehicle motion is transformed into energy of compressed air stored in the air reservoir.

[0009] During the air motoring mode, each cylinder of the engine is configured to utilize the stored compressed air to produce power strokes for propulsion without combustion. This may be accomplished by first expanding the stored, compressed air into the cylinders to drive the pistons down from top dead center (TDC) to bottom dead center (BDC) for a first power stroke. Then the pistons compress the expanded gas as they travel from BDC to TDC. Fuel is then injected into the cylinders and ignited just before TDC. The expanding products of combustion then drive the pistons down again for a second power stroke on the second revolution of the crankshaft.

[0010] Alternatively, air-motoring may be accomplished by expanding the stored compressed air to drive the power piston down from TDC to BDC for a power stroke without combustion for each revolution of the crankshaft. This alternative method of air motoring may

continue until the pressure in the air reservoir falls below a threshold level, whereupon the engine may switch to either the previously described air motoring mode or a conventional ICE engine mode of operation.

[0011] Problematically, in order to switch among the CB, AM and ICE modes, the valve/drive train system becomes complex, costly and hard to control or maintain. Additionally, since each cylinder must perform all of the functions for each mode, they cannot be optimized easily. For example, the pistons and cylinders must be designed to withstand an explosive combustion event, even when just acting as an air compressor. Accordingly, due to the tolerances and materials required to withstand the heat of combustion, some sacrifice must be made to the efficiency of the compressor mode.

[0012] Another problem with performing all functions for each mode (ICE, CB and AM) in every cylinder is that no two modes can be performed in parallel (i.e. simultaneously). Because prior art air hybrid systems utilize conventional engines, they are restricted to operating in each mode serially, which imposes inherent limitations on their capabilities. For example, because the CB mode cannot be utilized when the engine is operating as an internal combustion engine (in ICE mode), the air reservoir can only be charged during the braking function of a moving vehicle. This limitation leads to problems in maintaining the stored charge in the air reservoir. Additionally, this limitation also means that prior art air hybrid systems are only applicable to moving vehicles, and are not practical for stationary applications such as stationary generators.

[0013] WO 2004/072448 discloses an engine having the pre-characterising features of claim 1. **SUMMARY OF THE INVENTION**

[0014] The present invention combines the features of the split cycle engine with the air reservoir of the air hybrid concept and various simplified control features to provide novel arrangements for operation and control of the resulting hybrid engine embodiments. A distinct advantage of the invention is that two or more engine modes as described herein can be operated simultaneously (i.e., in parallel), because the split-cycle engine includes dedicated compression and power pistons.

[0015] Taken as a broad concept, a split-cycle air hybrid engine according to the invention preferably includes:

a crankshaft rotatable about a crankshaft axis;
 a power piston slidably received within a power cylinder and operatively connected to the crankshaft such that the power piston reciprocates through an expansion (or power) stroke and an exhaust stroke during a single rotation of the crankshaft,
 a compression piston slidably received within a compression cylinder and operatively connected to the crankshaft such that the compression piston reciprocates through an intake stroke and a compression stroke during a single rotation of the crankshaft, the compression cylinder being selectively controllable

to place the compression piston in a compression mode or an idle mode;

an air reservoir operatively connected between the compression cylinder and the power cylinder and selectively operable to receive compressed air from the compression cylinder and to deliver compressed air to the power cylinder for use in transmitting power to the crankshaft during engine operation; and valves selectively controlling gas flow into and out of the compression and power cylinders and the air reservoir.

[0016] Alternatively, the power cylinder may also be selectively controllable to place the power piston in a power mode or an idle mode.

[0017] For purposes herein, when the compression piston is placed in idle mode, it means that for a single rotation of the crankshaft, the total amount of net negative work (opposing the direction of rotation of the crankshaft) performed on the crankshaft by the compression piston is negligible. Typically, negligible work in the compression piston's idle mode would be less than 20% of the negative work performed on the crankshaft had the compression piston been in its compression mode.

[0018] Additionally for purposes herein, when the power piston is placed in idle mode, it means that for a single rotation of the crankshaft, the total amount of net positive work (advancing the direction of rotation of the crankshaft) performed on the crankshaft by the power piston is negligible. Typically, negligible work in the power piston's idle mode would be less than 20% of the positive work performed on the crankshaft had the power piston been in its power mode.

[0019] In general, an engine according to the invention is capable of operation in at least three modes, including an internal combustion engine (ICE) mode, an air compressor (AC) mode and a pre-compressed air power (PAP) mode.

[0020] In the ICE mode, the compression piston and power piston are typically in their respective compressor and power modes. The compression piston draws in and compresses inlet air for use in the power cylinder. Compressed air is admitted to the power cylinder with fuel shortly after the power piston reaches its top dead center (TDC) position at the beginning of an expansion stroke. The fuel/air mixture is then ignited, burned and expanded on the same expansion stroke of the power piston, transmitting power to the crankshaft. The combustion products are discharged on the exhaust stroke.

[0021] In the AC mode, the compression piston is in compression mode and draws in and compresses air which is stored in the reservoir for later use in the power cylinder.

[0022] In the PAP mode, the power cylinder is in power mode and receives compressed air from the reservoir which is expanded on the expansion stroke of the power piston, transmitting power to the crankshaft. The expanded air is discharged on the exhaust stroke.

[0023] In certain preferred embodiments of the invention, power is developed in the PAP mode in similar fashion to that of the ICE mode. That is, during operation in the PAP mode, fuel is mixed with the compressed air shortly after the power piston has reached its TDC position at the beginning of an expansion stroke. The mixture is ignited, burned and expanded on the same expansion stroke of the power piston, transmitting power to the crankshaft. The combustion products are discharged on the exhaust stroke.

[0024] In other alternative embodiments of the engine, power may be developed in the PAP mode in similar fashion to that of the previously described air motoring modes. That is, during operation in the PAP mode, the compressed air admitted to the power cylinder is expanded without adding fuel or initiating combustion.

[0025] In a first exemplary embodiment of the engine, the air reservoir comprises a gas passage sized to receive and store compressed air from a plurality of compression strokes, the gas passage interconnecting the compression and power cylinders. The gas passage includes an inlet valve and an outlet valve defining a pressure chamber therebetween.

[0026] In a second exemplary embodiment of the engine, a gas passage also interconnects the compression and power cylinders, and the gas passage includes an inlet valve and an outlet valve defining a pressure chamber therebetween. However, the air reservoir is connected by a reservoir passage to the pressure chamber at a location between the inlet valve and the outlet valve.

[0027] A third exemplary embodiment of the engine adds a reservoir control valve in the reservoir passage to allow separation of the reservoir from the pressure chamber during ICE operation.

[0028] In a fourth exemplary embodiment of the engine, the air reservoir is an accumulator adapted to maintain a relatively constant pressure therein within a predetermined pressure range.

[0029] A fifth embodiment of the engine includes multiple pairs of compression and power cylinders interconnected by gas passages having pressure chambers, wherein the pressure chambers are all connected with a single air reservoir.

[0030] In a sixth alternative embodiment of the invention, the engine includes a gas passage interconnecting the compression and power cylinders, the gas passage including an inlet valve and an outlet valve defining a pressure chamber therebetween. The air reservoir is connected in parallel with the gas passage, with inlet and outlet connections from the air reservoir to the compression and power cylinders.

[0031] These and other features and advantages of the invention will be more fully understood from the following detailed description of the invention taken together with the accompanying drawings.

BRIEF DESCRIPTION OF THE DRAWINGS

[0032] In the drawings:

5 FIG. 1 is a schematic diagram showing a first embodiment of a split-cycle air hybrid engine having an air reservoir and control valves according to the invention;

10 FIG. 2 is a view similar to FIG. 1 but showing a second embodiment with a separate crossover (or gas) passage connected with the air reservoir and an added control valve; and

15 FIG. 3 is a view similar to FIG. 2 but showing a third embodiment with an added reservoir control valve;

DETAILED DESCRIPTION OF THE INVENTION

20 **[0033]** Referring first to FIG. 1 of the drawings in detail, numeral 10 generally indicates a first exemplary embodiment of a split cycle air hybrid engine according to the invention. Engine 10, shown schematically, is generally of the split-cycle type disclosed in the prior United States patents 6,543,225 B2, 6,069,371 B2 and 6,952,923 B2 (Scuderi patents), herein incorporated by reference in their entirety.

[0034] As shown, the engine includes an engine block 12 having a first cylinder 14 and an adjacent second cylinder 16 extending therethrough. A crankshaft 18 is journaled in the block 12 for rotation about a crankshaft axis 20, extending perpendicular to the plane of the drawing. Upper ends of the cylinders 14, 16 are closed by a cylinder head 22

30 **[0035]** The first and second cylinders 14, 16 define internal bearing surfaces in which are received for reciprocation a first power piston 24 and a second compression piston 26, respectively. The cylinder head 22, the power piston 24 and the first cylinder 14 define a variable volume combustion chamber 25 in the power cylinder 14. The cylinder head 22, the compression piston 26 and the second cylinder 16 define a variable volume compression chamber 27 in the compression cylinder 16.

[0036] The crankshaft 18 includes axially displaced and angularly offset first and second crank throws 28, 30, having a phase angle 31 therebetween. The first crank throw 28 is pivotally joined by a first connecting rod 32 to the first power piston 24 and the second crank throw 30 is pivotally joined by a second connecting rod 34 to the second compression piston 26 to reciprocate the pistons in their cylinders in timed relation determined by the angular offset of their crank throws and the geometric relationships of the cylinders, crank and pistons.

[0037] Alternative mechanisms for relating the motion and timing of the pistons may be utilized if desired. The timing may be similar to, or varied as desired from, the disclosures of the Scuderi patents. The rotational direction of the crankshaft and the relative motions of the pis-

tons near their bottom dead center (BDC) positions are indicated by the arrows associated in the drawings with their corresponding components.

[0038] The cylinder head 22 includes any of various passages, ports and valves suitable for accomplishing the desired purposes of the split-cycle air hybrid engine 10. In the illustrated first embodiment, the gas passage/pressure chamber of the previously mentioned patents is replaced by a much larger air reservoir 36 connected to the head 22 through a reservoir inlet port 38 opening into the closed end of the second cylinder 16 and a reservoir outlet port 40 opening into the closed end of the first cylinder 14. As opposed to a smaller gas passage of a type exemplified in the Scuderi patents, the air reservoir 36 is sized to receive and store compressed air energy from a plurality of compression strokes of the compression piston 26. The second cylinder 16 also connects with a conventional intake port 42 and the first cylinder 14 also connects with a conventional exhaust port 44.

[0039] Valves in the cylinder head 22, which are similar to valves of the engine in the Scuderi patents, include a reservoir inlet check valve 46 and three cam actuated poppet valves, a reservoir outlet valve (or crossover valve) 50, a second cylinder intake valve 52, and a first cylinder exhaust valve 54. The check valve 46 allows only one way compressed air flow into the reservoir inlet port 38 from the second (compression) cylinder 16. The reservoir outlet valve 50 is opened to allow high pressure air flow from the reservoir 36 into the first (power) cylinder 14.

[0040] The present engine 10 includes two additional valves that may be solenoid actuated. These include an intake control valve 56 in the cylinder intake port 42 and a reservoir outlet control valve 58 in the reservoir outlet port 40. These valves may be two position on-off valves but could include variable position controls so that they could be operated as throttle valves if desired.

[0041] The poppet valves 50, 52, 54 may be actuated by any suitable devices, such as camshafts 60, 62, 64 having cam lobes 66, 68, 70 respectively engaging the valves 50, 52, 54 for actuating the valves as will be subsequently discussed. Alternatively, the valves 50, 52 and 54, as well as the other valves 46, 56 and 58, may be electronically, pneumatically or hydraulically actuated.

[0042] A spark plug 72 is also mounted in the cylinder head with electrodes extending into the combustion chamber 25 for igniting air-fuel charges at precise times by an ignition control, not shown. It should be understood that the engine may be made as a diesel engine and be operated without a spark plug if desired. Moreover, the engine 10 may be designed to operate on any fuel suitable for reciprocating piston engines in general, such as hydrogen or natural gas.

[0043] FIGS. 2 through 6 of the drawings disclose various alternative embodiments which are variations of the engine 10 of FIG. 1 and are described below. Operation of all six of the exemplary embodiments will be described

thereafter.

[0044] Referring to FIG. 2, a second embodiment of engine 74 is disclosed wherein like reference numerals indicate like parts. Engine 74 is generally similar to engine 10, but differs in that a small volume crossover (or gas) passage 76 is connected between the inlet port 38 and inlet check valve 46 at one end and the outlet port 40 and outlet valve 50 at an opposite end. This crossover passage 76 extends between the compression chamber 27 in the second cylinder 16 and the combustion chamber 25 in the first cylinder 14 and is similar to the crossover passage in the prior Scuderi patents. As opposed to an air reservoir, this crossover passage 76 is not sized to store a substantial amount of compressed air energy for later use. Rather the passage 76 is typically designed to be as small as practically possible for the most efficient transfer of compressed gas during the ICE mode of the engine 74.

[0045] In an additional modification, separate air reservoir 36 is connected through a reservoir runner or reservoir passage 78 to the crossover passage 76 and connects to the inlet and outlet ports 38, 40 through the crossover passage 76. The reservoir outlet solenoid control valve 58 is located in the passage 76 between the outlet port 40 and the reservoir runner 78. Valve 58 is open during ICE mode to allow compressed air to follow the path of least resistance and flow primarily through passage 76 into combustion chamber 25. Valve 58 may be closed during AC mode to pump compressed air into reservoir 36 and may be open during PAP mode to retrieve compressed air from the reservoir 36.

[0046] Referring now to FIG. 3 of the drawings, a third embodiment of engine 80 is disclosed, which differs from engine 74 in FIG. 3, only in the addition of a third solenoid valve 82. Valve 82 is located in the runner 78 at its junction with the crossover passage 76 to cut off the connection of the air reservoir 36 with the crossover passage when desired.

[0047] By isolating the air reservoir 36 via valve 82, the overall engine 80 performance can be more effectively optimized during the ICE mode of operation. For example, during the ICE mode all compressed air can be made to flow through the crossover passage 76. Accordingly, the crossover passage 76 can be designed for the most efficient transfer of gas without interacting with the air reservoir. Additionally valve 82 can also be utilized as a throttling valve for part load conditions during the PAP mode.

[0048] A fourth embodiment of engine 84 (not shown) is similar to the engine 80 of FIG. 3. It differs in the conversion of the air reservoir into a pressure accumulator 86 by the addition of a diaphragm or bladder 87 and spring mechanism 88 to provide a constant pressure accumulator in the air reservoir. These act to pressurize air that is present in the accumulator 86 and to maintain the contents at a relatively constant pressure between conditions where the reservoir is either empty or is filled up to the maximum control pressure.

[0049] A fifth embodiment of a multicylinder engine 89 (not shown) has at least two cylinder pairs 90, each equivalent to the engine 80 of FIG. 3. The engine 89 has a common reservoir for multiple cylinder parts. Engine 89 is modified to include a common supply reservoir 92 that is joined to crossover passages 76 of all the cylinder pairs with a reservoir control solenoid valve 82 controlling communication of each reservoir runner 78 with its respective crossover passage 76.

[0050] A sixth embodiment of engine 94 is most similar to engine 80 of FIG. 3 and has the reservoir in parallel with the crossover passage and separately valved between the cylinders. Engine 94 differs in that the air reservoir 36 is separated from direct connection with the crossover passage 76, which remains controlled by check valve 46, solenoid valve 58 and outlet valve 50. The air reservoir 36 is connected in parallel with the crossover passage 76 by first and second reservoir runners (or passages) 96, 98, respectively connecting the reservoir directly to the combustion chamber 25 of the first cylinder 14 and the compression chamber 27 of the second cylinder 16. Fourth and fifth solenoid control valves 100, 102 respectively control flow between the runners 96, 98 and the cylinders 14, 16.

[0051] Operation of the described exemplary embodiments of split-cycle air hybrid engines according to the invention will now be discussed for purposes of explanation and not of limitation, it being understood that additional methods and variations will be apparent that should properly fall within the intended scope of the invention.

[0052] Basically, split-cycle air hybrid engines of the present invention are typically operable in at least three modes, an internal combustion engine (ICE) mode, an air compressor (AC) mode and a pre-compressed air power (PAP) mode. The PAP mode preferably includes a pre-compressed combustion-air power (PCA) mode wherein pre-compressed air and fuel are mixed shortly after the power piston reaches its top dead center position during an expansion stroke and then the fuel/air mixture is combusted to drive the power piston down during the same expansion stroke. Alternatively, the PAP mode could also include various forms of air motoring (AM) modes (as previously exemplified herein) wherein pre-compressed air is utilized to provide an expansion stroke without combustion. As will be discussed in greater detail, because the split-cycle air hybrid of the present invention has separate dedicated compression and power cylinders, the three modes, ICE, AC and PAP, can be run either serially or in parallel as desired.

[0053] The ICE mode is basically the normal operating mode of the engines disclosed in the previously mentioned Scuderi patents. The intake, compression, power and exhaust strokes of a conventional piston engine cycle are split between the compression and power cylinders of the split-cycle engine.

[0054] Referring to the embodiment of FIG. 1, split cycle engines as described in the Scuderi US Patents (6,543,225, 6,609,371 and 6,952,923) include structural

parameters that are advantageous over prior art split-cycle engines. Many of these advantages will be described in relation to the following discussion of the ICE mode of the engine 10. It is important to note that the air reservoir 36 of Fig. 1 performs the combined functions of both the separated crossover (or gas) passage 76 and air reservoir 36 of subsequent Figs. 2 and 3; and the fourth to sixth embodiments.

[0055] In the 16E mode, the intake solenoid valves 96, 98 remain open. On the intake stroke, intake valve 52 opens as the compression piston moves down, drawing in air to the compression chamber 27. On the compression stroke, the intake valve 52 closes and the piston 26 moves up, compressing the air and forcing it through the check valve 46 and the inlet port 38 into the air reservoir 36.

[0056] The power piston 24 leads the compression piston 26 by a phase angle 31 that is substantially greater than 0 degrees of rotation of the crankshaft. The phase angle 31 as defined herein is the degrees of crank angle (CA) rotation the crankshaft 18 must rotate after the power piston 24 has reached its top dead center (TDC) position in order for the compression piston 26 to reach its respective TDC position. In the particular embodiment illustrated in Fig. 1, the magnitude of the angle between the first and second crank throws 28 and 30 is equal to the phase angle 31. Preferably this phase angle is between 10 and 40 degrees CA and more preferably between 20 and 30 degrees CA. The phase angle 31 is sized such that as the compression piston 26 ascends toward its TDC position and the power piston descends from its TDC position, a substantially equal mass of compressed air is transferred into and out of the air reservoir 36 (in subsequent Figs 2-3 and the fourth to sixth embodiments a substantially equal mass of compressed air is transferred into and out of the gas passage 76).

[0057] On the power stroke, outlet (or crossover) valve 50 is typically open at TDC of the power piston 24. Preferably the outlet valve 50 is opened within a range of 10 to 0 degrees CA before TDC of the power piston 24, and more preferably within a range of 7 to 3 degrees CA before TDC of the power piston. The outlet valve 50 is preferably closed within a range of 10 to 40 degrees CA after TDC of the power piston 24, and more preferably closes within a range of 20 to 30 degrees CA after TDC of the power piston.

[0058] The power piston 24 descends from its TDC position toward a combustion ignition position, which is typically within a range of 5 to 40 degrees CA after TDC and more preferably within a range of 10 to 30 degrees CA after TDC. Fuel may be injected and mixed with the compressed air by at least two methods, i.e., either in the air reservoir 36 just up stream of the outlet valve 50 (port fuel injection), or directly into the power cylinder 14 (direct injection). Once the power piston 24 reaches its combustion ignition position, the fuel/air mixture is ignited by spark plug 72 (or compression ignition if a diesel engine), forcing the piston 24 down to BDC and delivering

power to the crankshaft 18. The pressure at which combustion ignition occurs is the ignition (or firing) condition pressure.

[0059] On the exhaust stroke, the exhaust valve 54 opens and crossover valve 50 is closed. As the power piston 24 moves upward from BDC to TDC, the spent exhaust gases are forced out of the combustion chamber 25 through the exhaust port 44.

[0060] The intake and compression strokes for a pressure/volume cycle within the engine take place during the same crankshaft revolution as the power and exhaust strokes of the cycle, except that the power and exhaust strokes are advanced by the fixed phase angle 31. Thus a new pressure/volume cycle is completed each revolution of the engine crankshaft instead of in two revolutions as in a conventional four-stroke engine. However, the inlet valve 46 and outlet valve 50 maintain the gas pressure within the air reservoir 36 at or above ignition (or firing) condition pressure during the entire four-stroke cycle.

[0061] One of the basic differences between the Scuderi Split-Cycle and the prior art is the parameter that pressure in the gas passage is maintained at or above the firing condition pressure during all four strokes of the Otto cycle combined with the parameter that ignition in the power cylinder occurs substantially after top dead center (i.e., more than 5 degrees and preferably more than 10 degrees ATDC). This sets up a condition where the combustion event (or flame speed) is very fast (occurring within 24 degrees CA or less), and the NOx emissions output is very low (50 to 80 percent less than a conventional engine). Another unique aspect of the Scuderi Split-Cycle, not found in the prior art, is that the centerline of the power and compression cylinders are offset from the crankshaft axis. This enables the piston skirt to cylinder wall friction to be substantially reduced. All three of these advantageous features (maintaining firing condition pressures in the gas passage, firing after top dead center, and the offsets) are disclosed and claimed in the Scuderi Patents.

[0062] In addition to the above parameters, several other parameters have also been identified in the Scuderi Patents, which have a significant effect on engine efficiency. These parameters include:

1. Maintaining the compression and expansion ratios equal to or greater than 26 to 1, preferably equal to or greater than 40 to 1, and more preferably equal to or greater than 80 to 1;
2. The crossover valve duration (amount of crank angle (CA) rotation needed to open and close valve 50) should be equal to or less than 69 degrees, preferably less than 50 degrees, and more preferably less than 35 degrees; and
3. The crossover valve 50 should be open for a small percentage of time after combustion is initiated in the power cylinder.

[0063] During braking of a vehicle driven by an engine 10, the engine is switched to operation in the air compressor (AC) mode. Fuel injection is stopped and the solenoid valve 58 is closed, preventing air flow through the outlet port 40 and suspending power delivery from the power piston 24, thus placing the power piston 24 in an idle mode. However, the compression piston continues to operate, driven by the inertia of the moving vehicle, and to pump the compressed air into the air reservoir 36. The pumping action effectively slows, or brakes, the vehicle and the braking action becomes increasingly effective as the reservoir air pressure increases. The increased pressure in the reservoir is retained for later use in the PAP mode.

[0064] While in AC mode, the exhaust valve 54 may be held open to reduce idling losses on the power piston 24. Moreover, the power piston could be used to increase the braking effect in various ways, such as by altering the valve timing and operation to draw in and compress further air into the air reservoir. Alternatively (to keep the air reservoir clean), the piston 24 could be used as a conventional compression brake, drawing in air on the downstroke, compressing it on the upstroke and opening the exhaust valve 54 near top dead center (TDC) to discharge the compressed air and dissipate its energy. This could increase braking and reduce brake wear but would limit the recovery of energy from the compressed air in the PCA or AM modes.

[0065] Referring still to FIG. 1, the preferred third mode of operation is pre-compressed combustion air (PCA) which, from prior AC operation, has stored compressed air in the reservoir 36 at a higher pressure than generally occurs in ICE operation. The engine has at least slowed down and is ready to be accelerated. To run the PCA mode, the outlet solenoid valve 58 is opened and spark ignition and fuel injection functions are reactivated. Also, the compression piston is idled by holding open both the intake valve 52 and the intake solenoid valve 56 so that the compression piston 26 moves freely without resistance and no air is compressed or added to the reservoir 36.

[0066] If valve 52 is not independence adjustable, the compression piston 26 may also be placed in idle mode by closing solenoid valve 56. In this way the compression piston alternately compresses and expands the gas trapped in the cylinder. The compression and expansion of the trapped gas alternates the negative and positive work done on the crankshaft by the piston. Since the negative and positive work is approximately equal, the net work done on the crankshaft by the piston operating in this mode is negligible. Still another method of placing the compression piston in idle mode is to prevent the compression piston 26 from reciprocating by operatively disconnecting it from the crankshaft 18. In any of the above examples of the compression piston's idle mode, the total amount of net negative work done on the crankshaft is negligible.

[0067] Shortly after or just prior to TDC of the power

piston 24, as in ICE operation, the reservoir outlet valve 50 opens, forcing a charge of compressed air (preferably controlled and with added fuel) from the reservoir 36 into the combustion chamber. Within a range of 5 to 40 degrees CA after TDC, and preferably within a range of 10 to 20 degrees CA after TDC, the fuel is quickly ignited and burns on the power stroke, providing power to the crankshaft. Exhaust products are discharged on the exhaust upstroke and the cycle is repeated.

[0068] As the vehicle is accelerated and returns to normal operation, the stored high pressure air continues to be used for combustion in the power cylinder 14 until the pressure drops to a normal operating pressure and the engine is returned to full ICE operation. However, operation in PCA mode as long as possible increases operating efficiency because compression energy from braking is returned to the PCA power cycle while the compressor piston 26 is idling using very little energy. Thus the vehicle braking compression energy is used to provide compression energy in the PCA power mode.

[0069] If the engine is stopped, stored compression energy can be used to start the engine, and the vehicle if desired, until a minimum speed is reached, whereupon the engine may be returned to ICE operation. However, a backup electric starter may be desirable.

[0070] Referring again to FIG. 2, operation of the engine 72 is similar to that of engine 10 (FIG. 1). However, use of the small volume crossover passage 76 for flow between cylinders substantially avoids flow through the air reservoir 36 during ICE operation and potentially reduces undesirable pressure variations in the gas passage 76 that could adversely affect engine performance.

[0071] In the embodiment of FIG. 3, the addition of the solenoid valve 82 at the reservoir connection with the crossover passage 76 allows cutting off the reservoir to maintain a higher or lower pressure therein while the smaller crossover passage 76 can operate with rapidly changing pressures in normal ICE engine operation for a split cycle engine.

[0072] In the fourth embodiment (not shown), the replacement of the air reservoir with an accumulator 86 allows the storage of a range of air volumes at a relatively constant pressure for use, primarily, in controlling air charge volumes delivered to the combustion chamber by controlling only the outlet valve 50 opening time.

[0073] The use of a common air reservoir, or accumulator, as in the fifth embodiment (not shown), may reduce manufacturing costs. Although the common air reservoir is connected directly to the gas passages, one skilled in the art would recognize that the air reservoir may be configured to connect to the split-cycle engine in other ways. For example, the common air reservoir may be an integral part of the gas passage as in FIG. 1, or may be connected in parallel with the gas passage as in the sixth embodiment (not shown).

[0074] The sixth embodiment further separates the effects of the air reservoir 36 on pressures in the crossover passage 76 and allows more complete separation of op-

eration in the ICE mode from either the AC mode or the PCA mode.

[0075] Referring to Figs. 1-3 and the fourth to sixth embodiments in general, a distinct advantage of the present invention is that air hybrid systems utilizing a split-cycle engine 10, 74, 80, 84, 89 and 94 can function in the various operating modes (ICE, AC and PAP) simultaneously (or in parallel) over the paired compression cylinders 16 and power cylinders 14, rather than being restricted to operating each mode serially out of a single cylinder. This parallel mode ability inherently provides added capabilities and expanded applications for split-cycle air hybrid systems.

[0076] Referring now to Fig. 9 as an example, under part load conditions the engine 80 can simultaneously operate in the ICE mode while continuously charging the air reservoir in the AC mode. That is, a full charge of air may be made to enter the compression cylinder 16 on an intake stroke where it is compressed and forced into gas passage 76. However, only a fraction of the air charge is required to operate the ICE mode under part load conditions. Accordingly, only a portion of the charge may be routed to the power cylinder 14 while the remainder of the charge can be diverted to the air reservoir 36 to keep it fully charged. In this way, split-cycle air hybrid systems have the ability to continuously charge their air reservoirs under part load conditions.

[0077] Additionally, in much the same fashion, waste energy from exhaust gas can be re-circulated, either directly or through a turbocharger, back into the intake of a split-cycle air hybrid engine 80 to be stored as compressed air energy in the air reservoir 36. Advantageously, this technique of recovering exhaust gas energy while operating under part load conditions can also be utilized in stationary applications, e.g., in stationary generators.

Claims

1. A split-cycle air hybrid engine (10, 74, 80, 84, 89, 94) comprising:

a crankshaft (18) rotatable about a crankshaft axis (20);

a power piston (24) slidably received within a power cylinder (14) and operatively connected to the crankshaft (18) such that the power piston (24) reciprocates through an expansion stroke and an exhaust stroke during a single rotation of the crankshaft (18);

a compression piston (26) slidably received within a compression cylinder (16) and operatively connected to the crankshaft (18) such that the compression piston (26) reciprocates through an intake stroke and a compression stroke during a single rotation of the crankshaft (18); and

an air reservoir (36) operatively connected be-

tween the compression cylinder (16) and the power cylinder (14) and selectively operable to receive compressed air from the compression cylinder (16) and to deliver compressed air to the power cylinder (14) for use in transmitting power to the crankshaft (18) during engine operation; and valves (46, 50, 58, 82, 100, 102) selectively controlling gas flow into and out of the compression (16) and power (14) cylinders and the air reservoir (36) such that the engine is operable in a pre-compressed air power (PAP) mode, wherein in the PAP mode:

the power cylinder (14) receives compressed air from the reservoir (36) at the beginning of an expansion stroke of the power piston (24) which is mixed with fuel during the same expansion stroke and the fuel is ignited, burned and expanded on the same expansion stroke, transmitting power to the crankshaft (18).

2. An engine (10, 74, 80, 84, 89, 94) as in claim 1 configured such that, in the PAP mode, compressed air from the compression cylinder (16) is prevented from being received in the air reservoir (36).
3. An engine (10, 74, 80, 84, 89, 94) as in any preceding claim wherein, in the PAP mode, fuel is ignited within a range of 5 to 40 degrees crank angle after the power piston (24) has reached its top dead center position.
4. An engine (10, 74, 80, 84, 89, 94) as in claim 3 wherein, in the PAP mode, fuel is ignited within a range of 10 to 30 degrees crank angle after the power piston (24) has reached its top dead center position.
5. An engine (10) as in any preceding claim wherein the air reservoir (36) comprises a gas passage sized to receive and store compressed air from a plurality of compression strokes, the gas passage interconnecting the compression (16) and power (14) cylinders, the gas passage including an inlet valve (46) and an outlet valve (50) defining a pressure chamber therebetween.
6. An engine (74, 80, 84, 89) as in any of claims 1 to 4 including a gas passage (76) interconnecting the compression (16) and power (14) cylinders, the gas passage (76) including an inlet valve (46) and an outlet valve (50) defining a pressure chamber therebetween; wherein the air reservoir (36) is connected by a reservoir passage (78) to the pressure chamber at a location between the inlet valve (46) and the outlet valve (50).

7. An engine (80, 84, 89) as in claim 6 including a reservoir control valve (82) in the reservoir passage (78).
8. An engine (84) as in claim 7 wherein the air reservoir is an accumulator (86) adapted to maintain a relatively constant pressure therein within a predetermined pressure range.
9. An engine (89) as in any of claims 6 to 8 including multiple pairs of compression (16) and power (14) cylinders interconnected by gas passages (76) having pressure chambers, wherein the pressure chambers are all connected with a common air reservoir (92).

Patentansprüche

1. Hybridmotor (10, 74, 80, 84, 89, 94) mit geteiltem Luftzyklus, umfassend:

eine Kurbelwelle (18), die um eine Kurbelwellenachse (20) drehbar ist;

einen Leistungskolben (24), der verschiebbar in einem Leistungszylinder (14) aufgenommen und funktionsfähig mit der Kurbelwelle (18) verbunden ist, so dass sich der Leistungskolben (24) durch einen Ausdehnungshub und einen Auslasshub während einer einzigen Umdrehung der Kurbelwelle (18) hin- und herbewegt; einen Verdichtungskolben (26), der in einem Verdichtungszyylinder (16) verschiebbar aufgenommen und funktionsfähig mit der Kurbelwelle (18) verbunden ist, so dass sich der Verdichtungskolben (26) durch einen Ansaughub und einen Verdichtungshub während einer einzigen Umdrehung der Kurbelwelle (18) hin- und herbewegt; und

ein Luftreservoir (36), das funktionsfähig zwischen dem Verdichtungszyylinder (16) und dem Leistungszylinder (14) verbunden und selektiv dazu funktionsfähig ist, verdichtete Luft vom Verdichtungszyylinder (16) aufzunehmen und dem Leistungszylinder (14) verdichtete Luft zur Verwendung bei der Übertragung von Leistung auf die Kurbelwelle (18) während des Motorbetriebs zuzuführen; und

Ventile (46, 50, 58, 82, 100, 102), die selektiv eine Gasströmung in die und aus dem Verdichtungs- (16) und Leistungs- (14) -zylinder und dem Luftreservoir (36) so steuert, dass der Motor in einem Vorverdichtete-Luft-Leistungs- (pre-compressed air power, PAP) -Modus betreibbar ist, wobei im PAP-Modus:

der Leistungszylinder (14) zu Beginn eines Ausdehnungshubs des Leistungskolbens

- (24) verdichtete Luft vom Reservoir (36) aufnimmt, die während desselben Ausdehnungshubs mit Kraftstoff vermischt wird und der Kraftstoff in demselben Ausdehnungshub entzündet, verbrannt und ausgedehnt wird, wobei Leistung auf die Kurbelwelle (18) übertragen wird.
2. Motor (10, 74, 80, 84, 89, 94) nach Anspruch 1, der so konfiguriert ist, dass im PAP-Modus verhindert wird, dass verdichtete Luft vom Verdichtungszyylinder (14) im Luftreservoir (36) aufgenommen wird.
3. Motor (10, 74, 80, 84, 89, 94) nach irgendeinem vorhergehenden Anspruch, wobei im PAP-Modus Kraftstoff in einem Bereich von 5 bis 40 Grad Kurbelwinkel entzündet wird, nachdem der Leistungskolben (24) seine obere Totpunktposition erreicht hat.
4. Motor (10, 74, 80, 84, 89, 94) nach Anspruch 3, wobei im PAP-Modus Kraftstoff in einem Bereich von 10 bis 30 Grad Kurbelwinkel entzündet wird, nachdem der Leistungskolben (24) seine obere Totpunktposition erreicht hat.
5. Motor (10) nach irgendeinem vorhergehenden Anspruch, wobei das Luftreservoir (36) einen Gasdurchgang umfasst, der dazu dimensioniert ist, verdichtete Luft aus mehreren Verdichtungshüben aufzunehmen und zu speichern, wobei der Gasdurchgang den Verdichtungs- (16) und Leistungs- (14) -zylinder miteinander verbindet und der Gasdurchgang ein Einlassventil (46) und ein Auslassventil (50) einschließt, die zwischen sich eine Druckkammer begrenzen.
6. Motor (74, 80, 84, 89) nach irgendeinem der Ansprüche 1 bis 4, einschließlich eines Gasdurchgangs (76), der den Verdichtungs- (16) und Leistungs- (14) -zylinder miteinander verbindet, wobei der Gasdurchgang (76) ein Einlassventil (46) und ein Auslassventil (50) einschließt, die zwischen sich eine Druckkammer begrenzen, wobei das Luftreservoir (36) durch einen Reservoirdurchgang (78) mit der Druckkammer an einer Stelle zwischen dem Einlassventil (46) und dem Auslassventil (50) verbunden ist.
7. Motor (80, 84, 89) nach Anspruch 6, einschließlich eines Reservoirsteuerventils (82) im Reservoirdurchgang (78).
8. Motor (84) nach Anspruch 7, wobei das Luftreservoir ein Akkumulator (86) ist, der dazu ausgelegt ist, einen relativ konstanten Druck in sich innerhalb eines vorgegebenen Druckbereichs aufrechtzuerhalten.
9. Motor (89) nach irgendeinem der Ansprüche 6 bis
- 8, einschließlich mehrerer Paare von Verdichtungs- (16) und Leistungs- (14) -zylindern, die durch Gasdurchgänge (76) miteinander verbunden sind, welche Druckkammern aufweisen, wobei die Druckkammern alle mit einem gemeinsamen Luftreservoir (92) verbunden sind.
- Revendications**
1. Un moteur hybride à air à cycle divisé (10, 74, 80, 84, 89, 94) se composant de ce qui suit :
- un vilebrequin (18) pouvant tourner sur un axe de vilebrequin (20) ;
un piston de puissance (24) reçu de manière coulissante dans un cylindre de puissance (14) et connecté en fonctionnement au vilebrequin (18) de telle sorte que le piston de puissance (24) présente un mouvement de va-et-vient passant par un temps de détente et un temps d'échappement pendant une seule révolution du vilebrequin (18) ;
un piston de compression (26) reçu de manière coulissante dans un cylindre de compression (16) et connecté en fonctionnement au vilebrequin (18) de telle sorte que le piston de compression (26) présente un mouvement de va-et-vient passant par un temps d'admission et un temps de compression pendant une seule révolution du vilebrequin (18) ; et
un réservoir d'air (36) relié en fonctionnement entre le cylindre de compression (16) et le cylindre de puissance (14) et pouvant être utilisé soit pour recevoir de l'air comprimé du cylindre de compression (16), soit pour fournir de l'air comprimé au cylindre de puissance (14) pour la transmission de puissance au vilebrequin (18) pendant le fonctionnement du moteur ; et
des soupapes (46, 50, 58, 82, 100, 102) contrôlant de manière sélective le flux de gaz qui entre et sort des cylindres de compression (16) et de puissance (14) et le réservoir d'air (36) de telle sorte que le moteur puisse être utilisé en mode de puissance à air pré-comprimé (PAP), dans lequel, en mode PAP :
- le cylindre de puissance (14) reçoit l'air comprimé du réservoir (36) au début d'un temps de détente du piston de puissance (24), l'air est mélangé au carburant pendant le même temps de détente et le carburant est allumé, brûlé et dilaté pendant le même temps de détente, ce qui a pour effet de transmettre la puissance au vilebrequin (18).
2. Un moteur (10, 74, 80, 84, 89, 94) selon la revendication

cation 1, configuré de telle manière que, en mode PAP, l'air comprimé venant du cylindre de compression (16) ne peut pas être reçu dans le réservoir d'air (36).

- 5
3. Un moteur (10, 74, 80, 84, 89, 94) selon n'importe laquelle des revendications précédentes, dans lequel, en mode PAP, le carburant est allumé dans une plage de 5 à 40 degrés d'angle de manivelle une fois que le piston de puissance (24) a atteint son point mort haut. 10
4. Un moteur (10, 74, 80, 84, 89, 94) selon la revendication 3 dans lequel, en mode PAP, le carburant est allumé dans une plage de 10 à 30 degrés d'angle de manivelle une fois que le piston de puissance (24) a atteint son point mort haut. 15
5. Un moteur (10) selon n'importe laquelle des revendications précédentes, dans lequel le réservoir d'air (36) se compose d'un passage de gaz dont les dimensions lui permettent de recevoir et de stocker l'air comprimé de plusieurs temps de compression, le passage de gaz étant relié aux cylindres de compression (16) et de puissance (14) et comprenant une soupape d'admission (46) et une soupape de sortie (50) créant une chambre de pression entre les deux. 20
25
6. Un moteur (74, 80, 84, 89) selon n'importe laquelle des revendications 1 à 4 comportant un passage de gaz (76) reliant les cylindres de compression (16) et de puissance (14) et comprenant une soupape d'admission (46) et une soupape de sortie (50) créant une chambre de pression entre les deux ; 30
35
dans lequel le réservoir d'air (36) est relié par un passage de réservoir (78) à la chambre de pression à un endroit entre la soupape d'admission (46) et la soupape de sortie (50). 40
7. Un moteur (80, 84, 89) selon la revendication 6 comprenant une soupape de commande de réservoir (82) dans le passage de réservoir (78).
8. Un moteur (84) selon la revendication 7, dans lequel le réservoir d'air est un accumulateur (86) adapté pour maintenir une pression relativement constante à l'intérieur, dans une gamme de pressions prédéterminée. 45
50
9. Un moteur (89) selon n'importe laquelle des revendications 6 à 8, comprenant plusieurs paires de cylindres de compression (16) et de puissance (14) reliés par des passages de gaz (76) ayant des chambres de pression, dans lequel les chambres de pression sont toutes connectées à un réservoir d'air commun (92). 55

FIG. 1

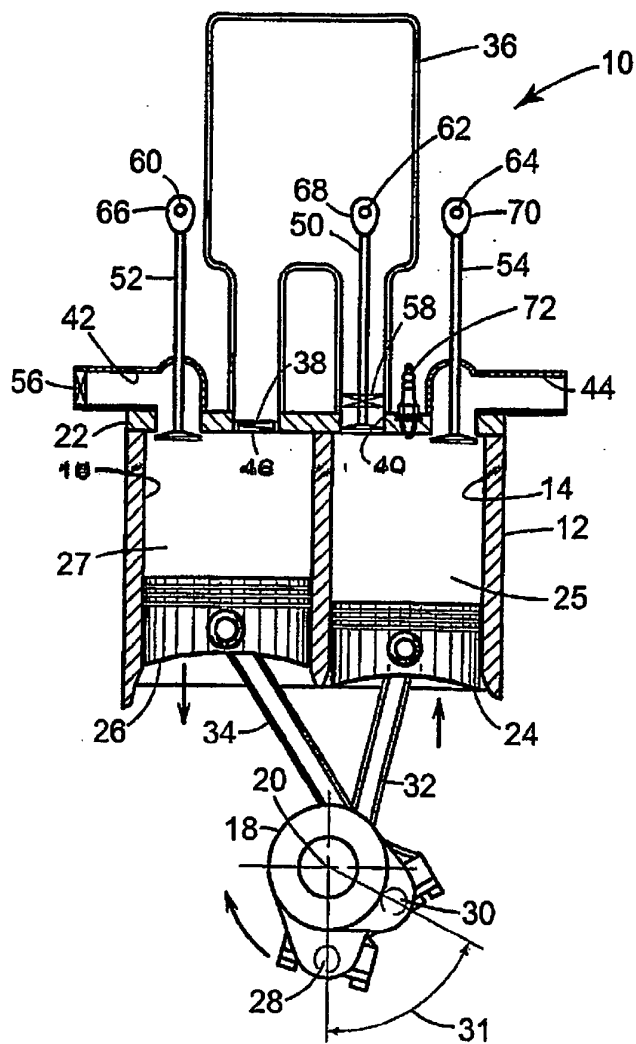


FIG. 2

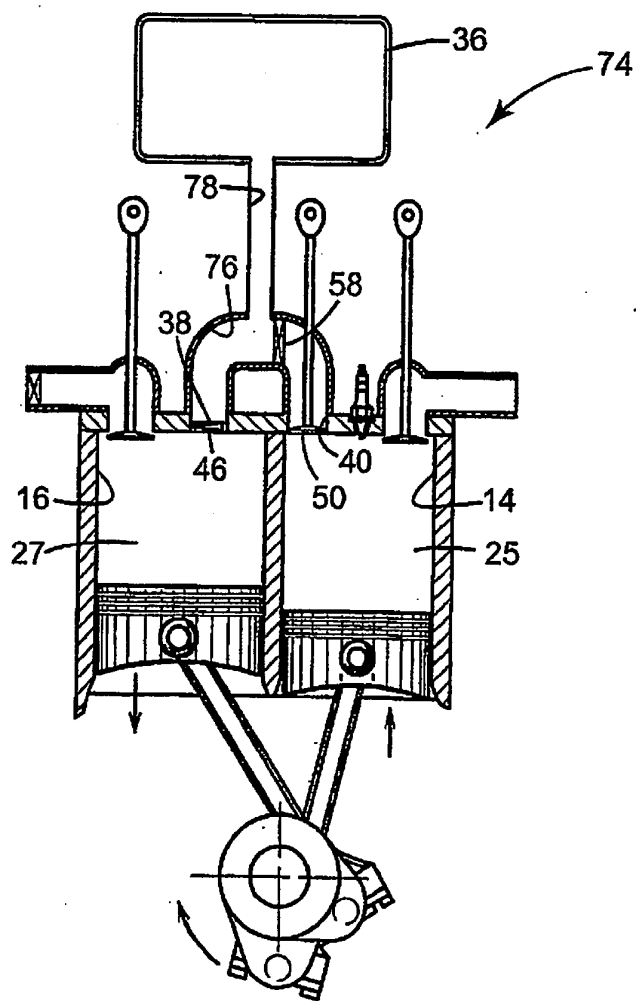
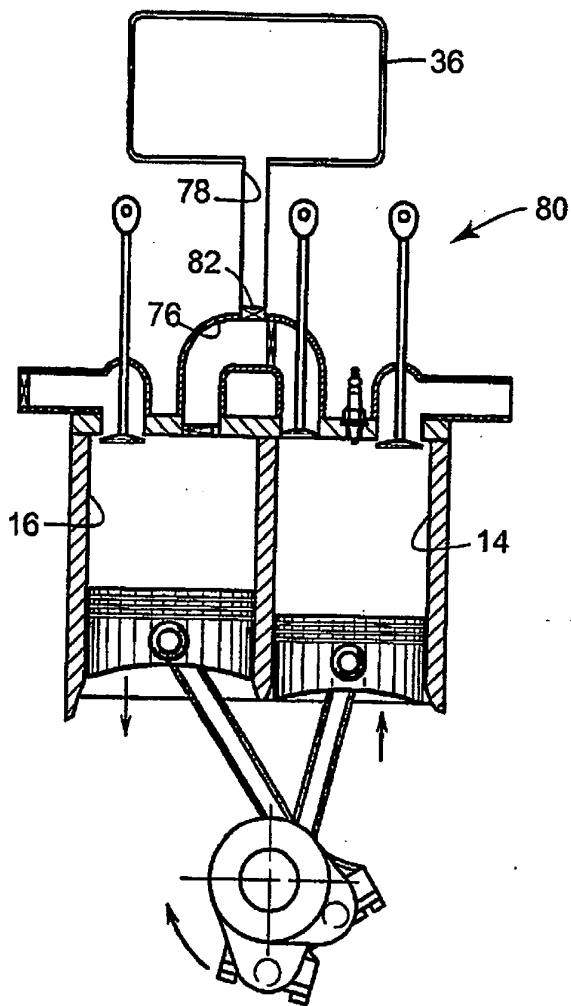


FIG. 3



REFERENCES CITED IN THE DESCRIPTION

This list of references cited by the applicant is for the reader's convenience only. It does not form part of the European patent document. Even though great care has been taken in compiling the references, errors or omissions cannot be excluded and the EPO disclaims all liability in this regard.

Patent documents cited in the description

- US 6543225 B2 [0005] [0033]
- US 6609371 B2 [0005]
- US 6952923 B [0005] [0054]
- WO 2004072448 A [0013]
- US 6069371 B2 [0033]
- US 6952923 B2 [0033]
- US 6543225 B [0054]
- US 6609371 B [0054]